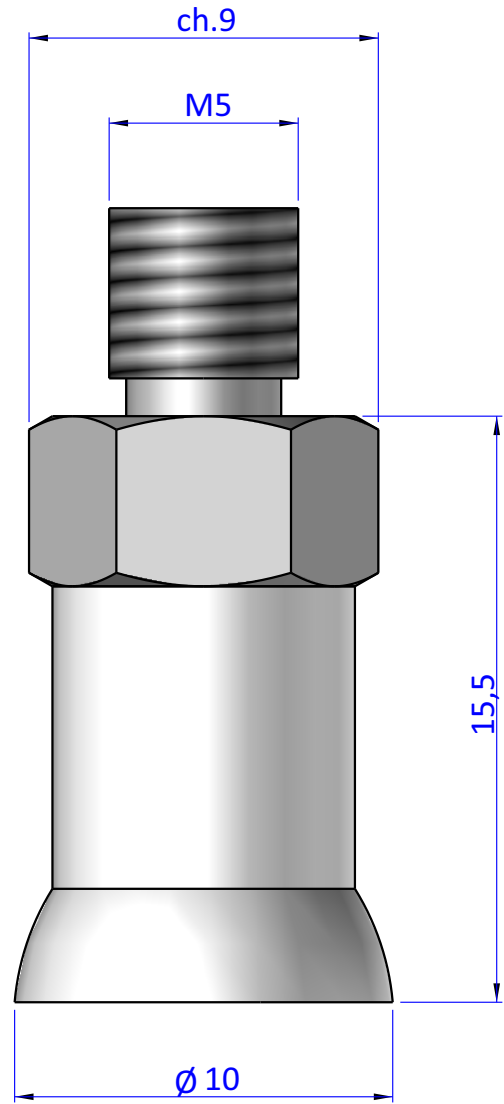
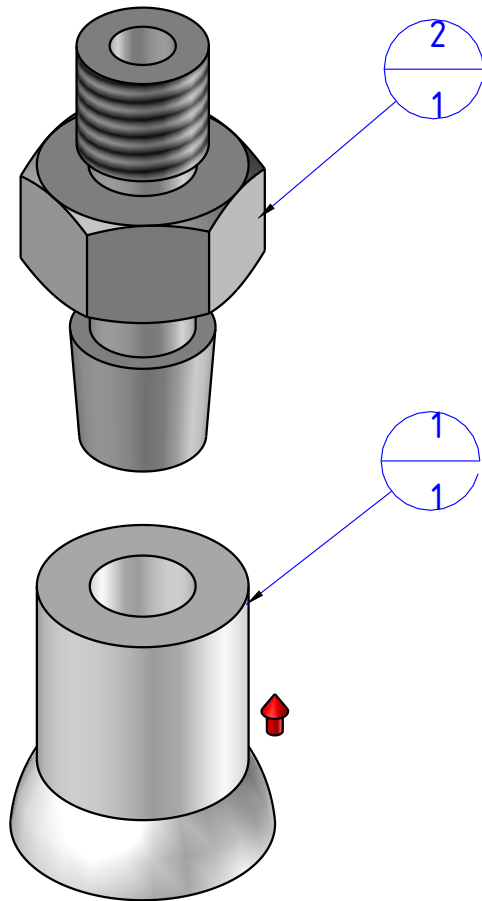


THE PROPERTY OF THE DRAWING IS ESTABLISHED BY LAW. IT IS FORBIDDEN TO PRODUCE OR SHOW IT TO THIRD PART. WITHOUT A WRITTEN AGREEMENT.

| Item | Name | Q.ty |
|------|--------------|------|
| 1 | CA.08.03.003 | 1 |
| 2 | CA.08.09.004 | 1 |



| | | |
|--|--------------------------|--------------------|
| DESIGNED FROM FPS Automation | | REVIEW A |
| DATE 03/11/2020 | WEIGHT 0,002kg | |
| CODE KIT.08.03.D10.4 | | |

Format **A4**

UNI 936-76

GENERAL TOLERANCE

UNI - ISO 2768

CLASSE f

DESCRIPTION

KIT.08.03.D10.4